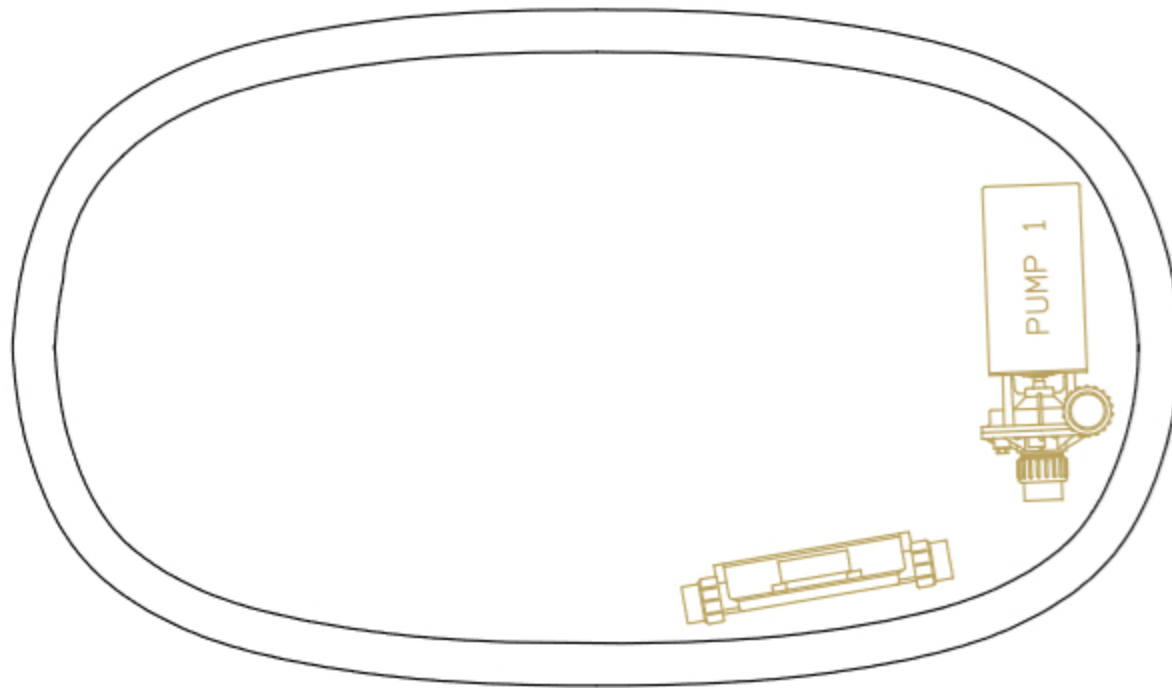


Vita Duet. Rød skrift = Ekstrausty

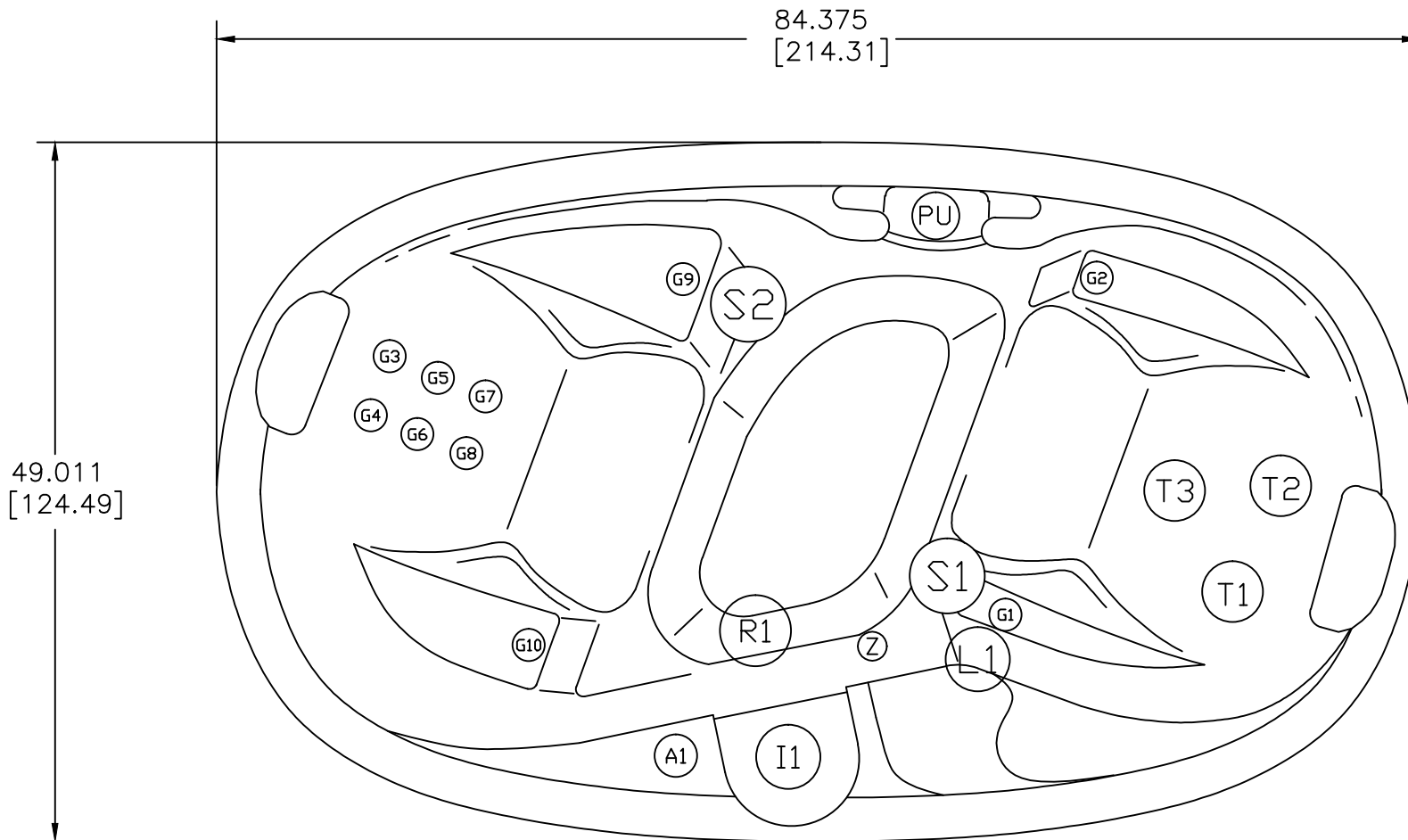


EURO EQUIPMENT SPECIFICATION

- NOTES: 1) PUMP #1
PN 109991
2) CONTROL PACK
MODEL GS501Z, 2.0KW, 167E
PN 108741
3) OZONATOR
PN 110329

REVISIONS					TITLE:	DRAWING NO.:	DATE:
#	DATE	DESCRIPTION	BY		MODEL DUT	MDUT8105	12/12/11
.	.	:	.		EQUIPMENT SPECS. & LAYOUT	CYCLE TIME: 000 sec	SHEET: 1 OF 1





REVISIONS			
#	DATE	DESCRIPTION	BY

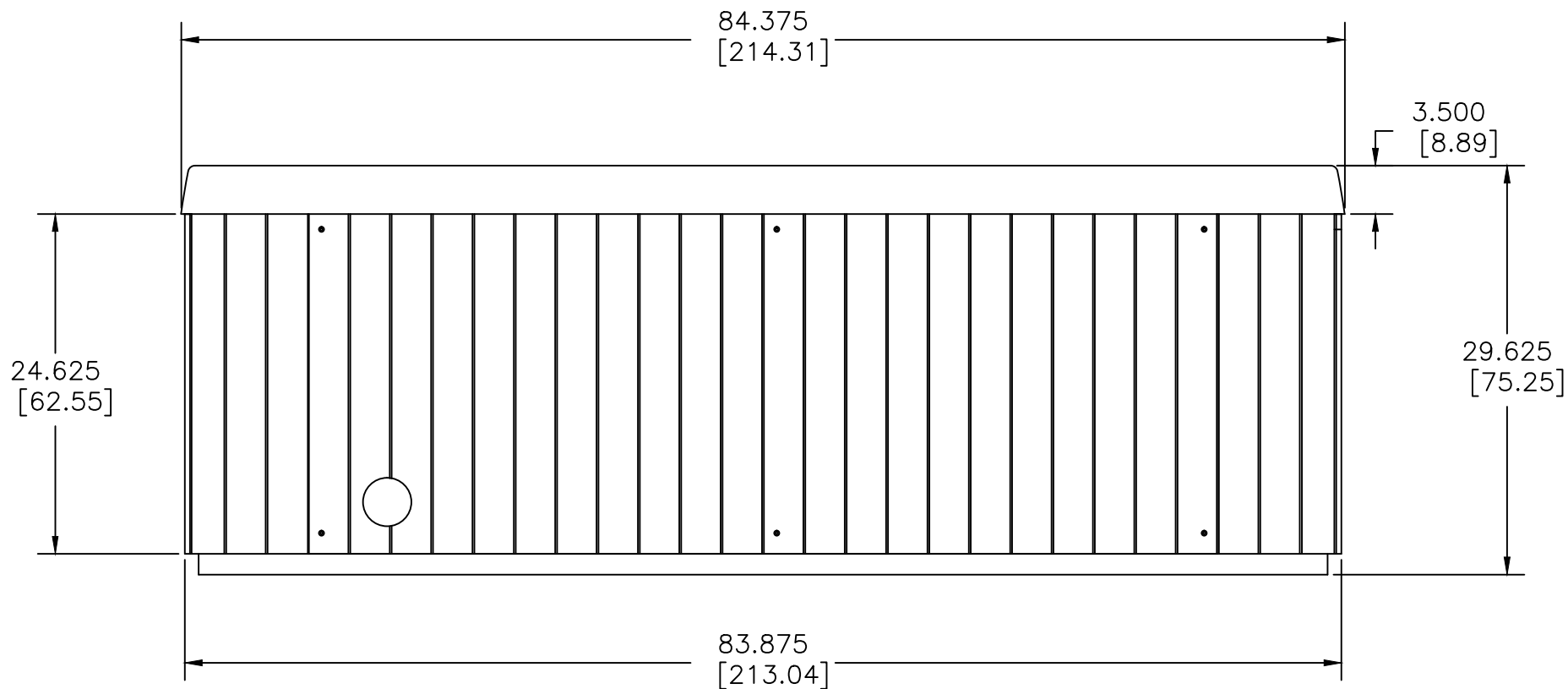
MAAX
SPAS
25605 S. ARIZONA AVE.
CHANDLER, AZ. 85248
www.maaxspas.com

TITLE
MODEL DUET
TOP VIEW GA

THIS IS THE SOLE PROPERTY OF MAAX SPAS
AND MAY NOT BE REPRODUCED PHOTOGRAPHED
OR REMOVED IN ANY WAY WITHOUT THE EXPRESS
WRITTEN CONSENT OF MAAX SPAS.

TOLERANCE ±0.0625
SCALE 0.08 : 1
PROJECT NO. .
DRAWING NO. MDUT8001
PARTING .

DRAWN BY JDD
DATE 2/16/11
UNITS INCHES
SHEET 2 of 2



REVISIONS			
#	DATE	DESCRIPTION	BY
.	.	.	.
.	.	.	.
.	.	.	.
.	.	.	.

MAAX
SPAS
25605 S. ARIZONA AVE.
CHANDLER, AZ. 85248
www.maaxspas.com

TITLE
MODEL DUET
SIDE VIEW GA

THIS IS THE SOLE PROPERTY OF MAAX SPAS
AND MAY NOT BE REPRODUCED PHOTOGRAPHED
OR REMOVED IN ANY WAY WITHOUT THE EXPRESS
WRITTEN CONSENT OF MAAX SPAS.

TOLERANCE ±0.0625
SCALE 0.08 : 1
PROJECT NO. .
DRAWING NO. MDUT8001
PARTING

DRAWN BY JDD
DATE 2/16/11
UNITS INCHES
SHEET 1 of 2