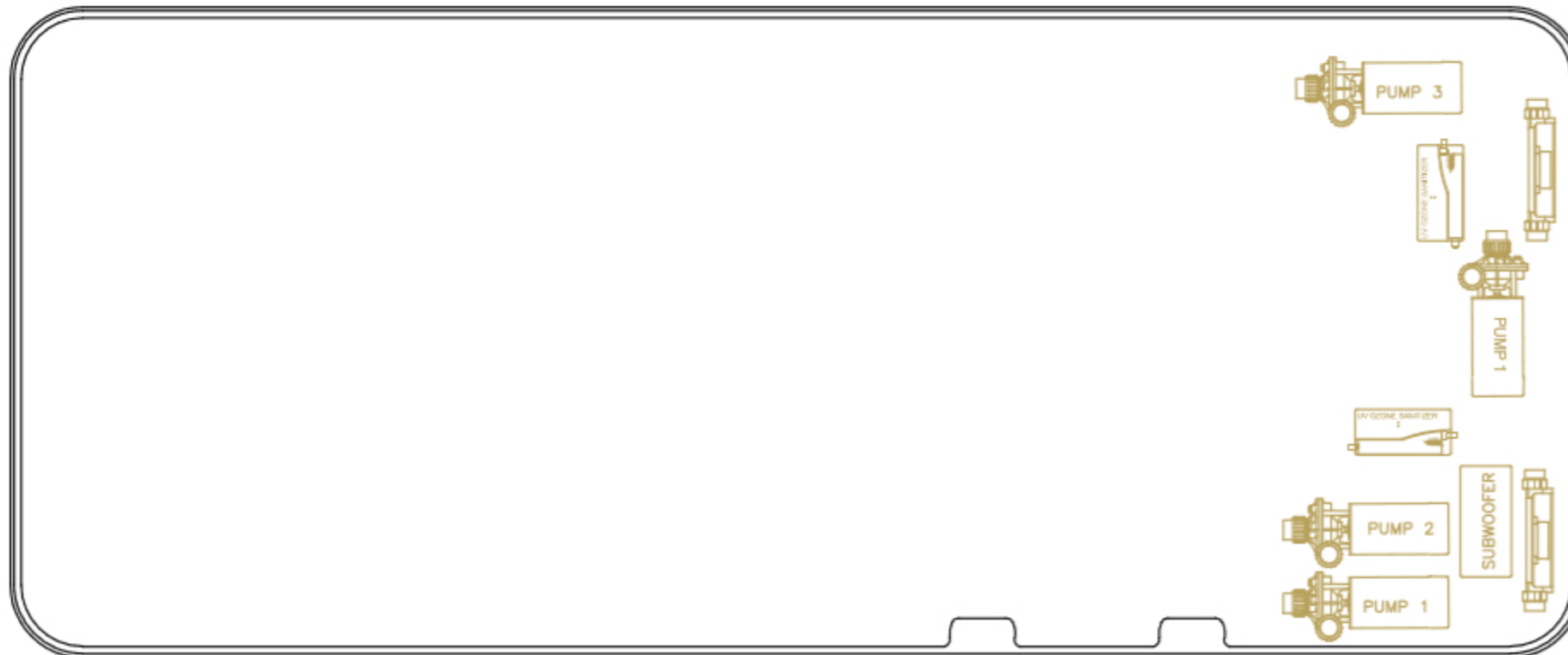


VM8



US / CDN EQUIPMENT SPECIFICATION SWIM SPA SIDE PUMPS & PACK

- NOTES:
- 1) PUMP #1
PN 109982
 - 2) PUMP #2
PN 109982
 - 3) PUMP #3
PN 109982
 - 4) CONTROL PACK
BP2000 60HZ
PN 110480
 - 5) TOPSIDE, SMART TOUCH 2 w/OVERLAY
PN 110460
 - 6) U.V. SANITIZER AQUANOVA
PN 110249

SPA SIDE PUMP & PACK

- 1) PUMP #1
PN 109982
- 2) CONTROL PACK
BP501G1 60HZ
PN 109295
- 3) TOPSIDE, SMART TOUCH 2 w/OVERLAY
PN 110460
- 4) WIFI MODULE
PN 109241
- 5) U.V. SANITIZER AQUANOVA
PN 110249
- 6) SUBWOOFER, POWER SUPPLY, BBA2
PN 109324, PN 103728, PN 108025
- 7) MODULE, LED STATUS INDICATOR
PN 110353

EURO EQUIPMENT SPECIFICATION SWIM SPA SIDE PUMPS & PACK

- NOTES:
- 1) PUMP #1
PN 109227
 - 2) PUMP #2
PN 109227
 - 3) PUMP #3
PN 109227
 - 4) CONTROL PACK
BP2100 50HZ CE
PN 109321
 - 5) TOPSIDE, SMART TOUCH 2 w/OVERLAY
PN 110548
 - 6) U.V. SANITIZER AQUANOVA
PN 110249

Rød skrift = Ekstra utstyr

SPA SIDE PUMP & PACK

- 1) PUMP #1
PN 109227
- 2) CONTROL PACK
BP2100 50HZ CE
109321
- 3) TOPSIDE, SMART TOUCH 2 w/OVERLAY
PN 110548
- 4) WIFI MODULE
PN 109241
- 5) U.V. SANITIZER AQUANOVA
PN 110249
- 6) SUBWOOFER, POWER SUPPLY, BBA2
PN 109324, PN 103728, PN 108025
- 7) MODULE, LED STATUS INDICATOR
PN 110353

REVISIONS

#	DATE	DESCRIPTION	BY
D	11/29/18	CHANGED WIFI TO OPTION	SA



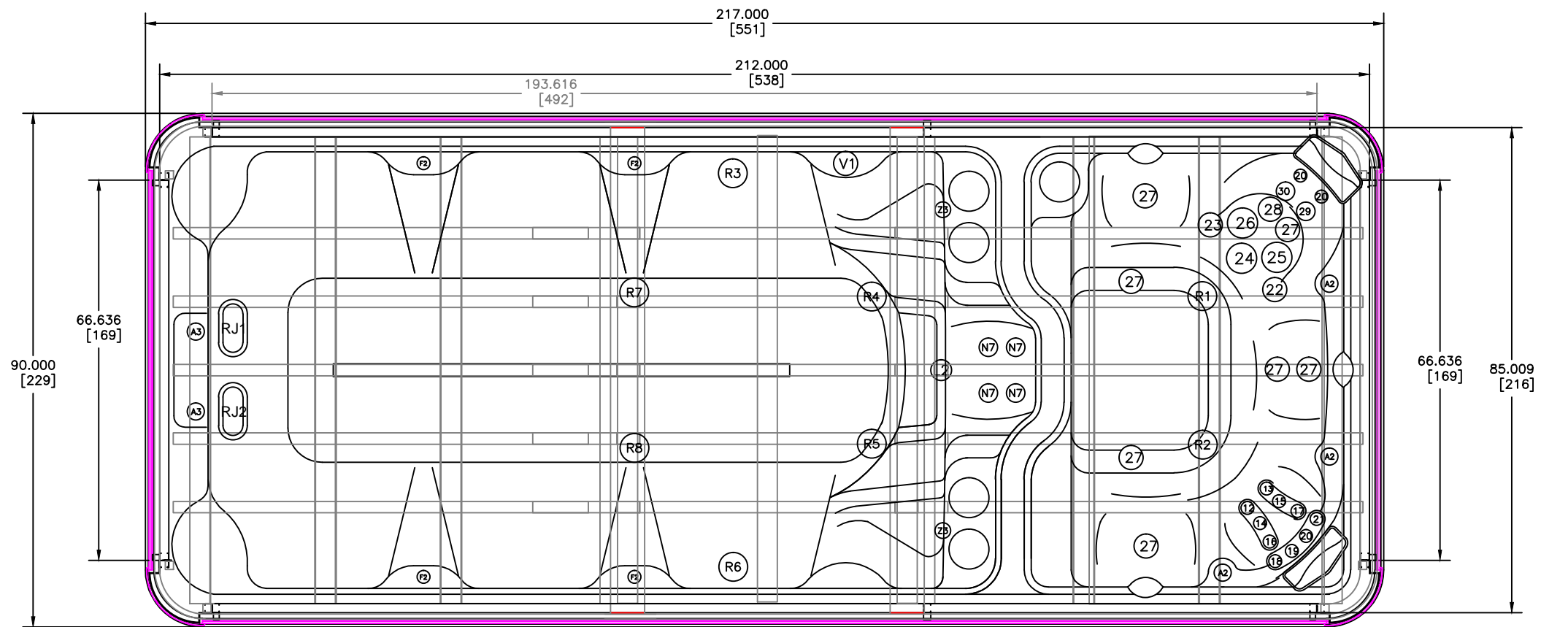
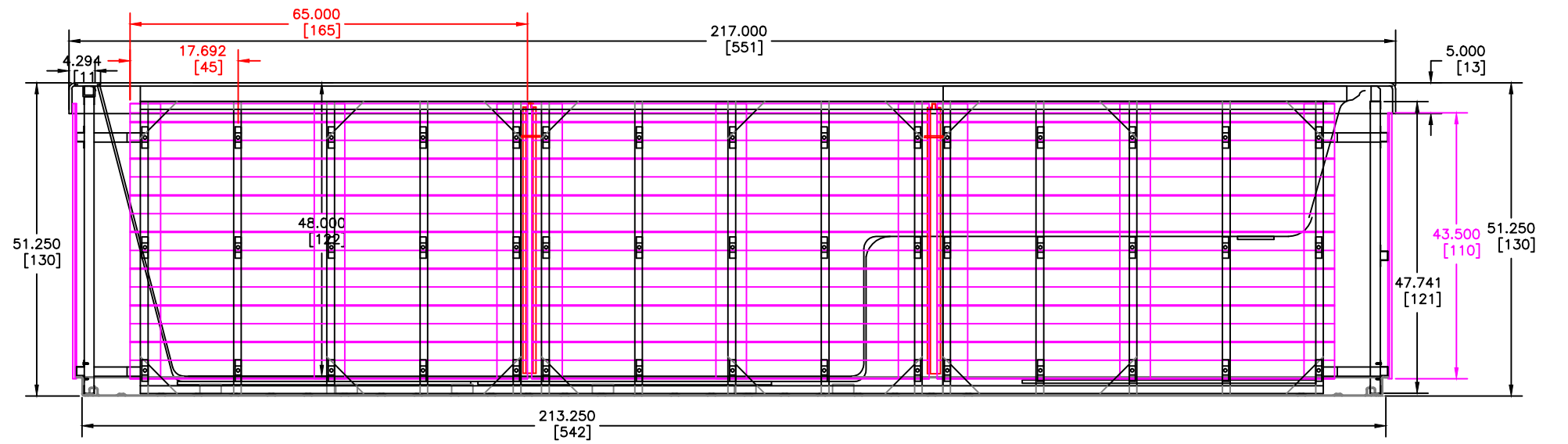
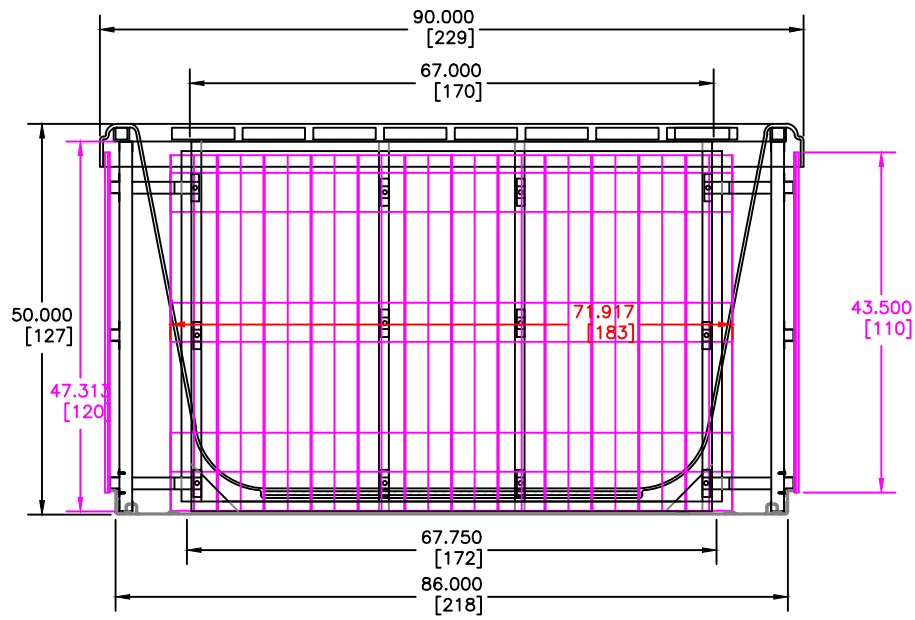
TITLE: MODEL 18' POWERPOOL (VM8)
EQUIPMENT SPECS & LAYOUT

DRAWING NO.: MVM88105

DATE: 11/1/2016

CYCLE TIME: 000 sec

SHEET: 1 OF 1



REVISION HISTORY			
#	DATE	DESCRIPTION	BY

MAAX SPAS
 25605 S. ARIZONA AVE.
 CHANDLER, AZ. 85248
 www.maaxspas.com

TITLE	MODEL VM8 SIDE VIEW
TOLERANCE	±0.0625
SCALE	NTS
PROJECT NO.	
DRAWING NO.	MVM887001
THIS IS THE SOLE PROPERTY OF MAAX SPAS AND MAY NOT BE REPRODUCED PHOTOGRAPHED OR REMOVED IN ANY WAY WITHOUT THE EXPRESS WRITTEN CONSENT OF MAAX SPAS.	

DRAWN BY	JDD
DATE	8/30/2016
UNITS	INCHES
SHEET NO.	1
TOTAL SHEETS	4