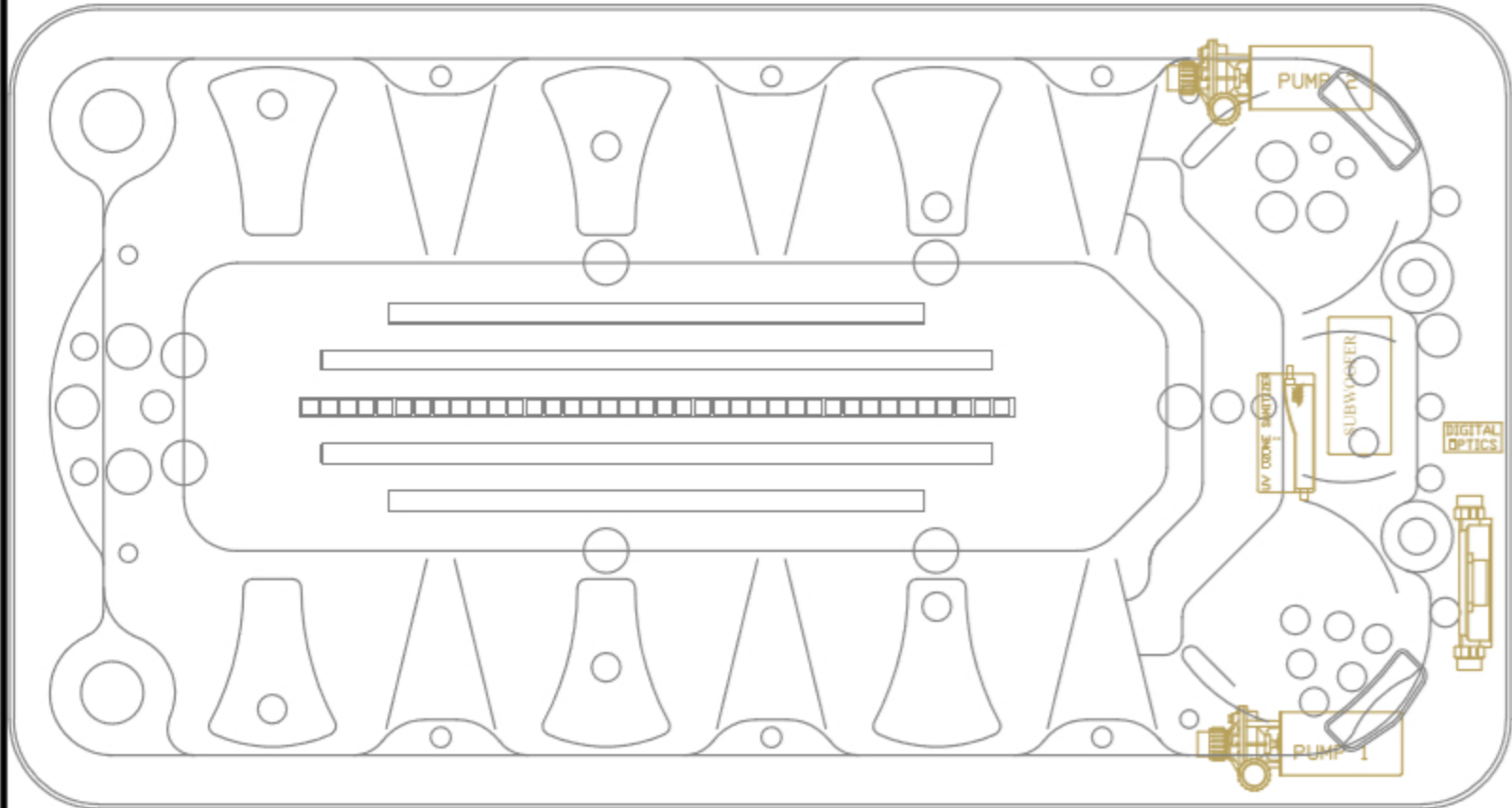


Vita XL4

Rød skrift = Ekstraustyr



US / CDN EQUIPMENT SPECIFICATION

- NOTES:
- 1) PUMP #1
PN 109982
 - 2) PUMP #2
PN 109982
 - 3) CONTROL PACK
MODEL BP501G1, 800INC, 230V/HTR
PN 109295
 - 4) OZONATOR
PN 109525
 - 5) U.V. SANITIZER
PN 106953
 - 6) SUBWOOFER, POWER SUPPLY, 110W
PN 109324, PN 103728
 - 7) WIFI MODULE
PN 109241.
 - 8) TOPSIDE, SMART TOUCH w/OVERLAY
PN 110460
 - 9) MODULE, LED STATUS INDICATOR
PN 110353

EURO EQUIPMENT SPECIFICATION

- NOTES:
- 1) PUMP #1
PN 109227
 - 2) PUMP #2
PN 109227
 - 3) CONTROL PACK
MODEL BP2100G1, 800INC, 230V/HTR
PN 109321
 - 4) OZONATOR
PN 109525
 - 5) U.V. SANITIZER
PN 106953
 - 6) SUBWOOFER, POWER SUPPLY, 110W
PN 109324, PN 103728
 - 7) WIFI MODULE
PN 109241.
 - 8) TOPSIDE, SMART TOUCH w/OVERLAY
PN 110548
 - 9) MODULE, LED STATUS INDICATOR
PN 110353

REVISIONS

#	DATE	DESCRIPTION	BY
D	12/3/18	CHANGED WIFI TO OPTION	SA



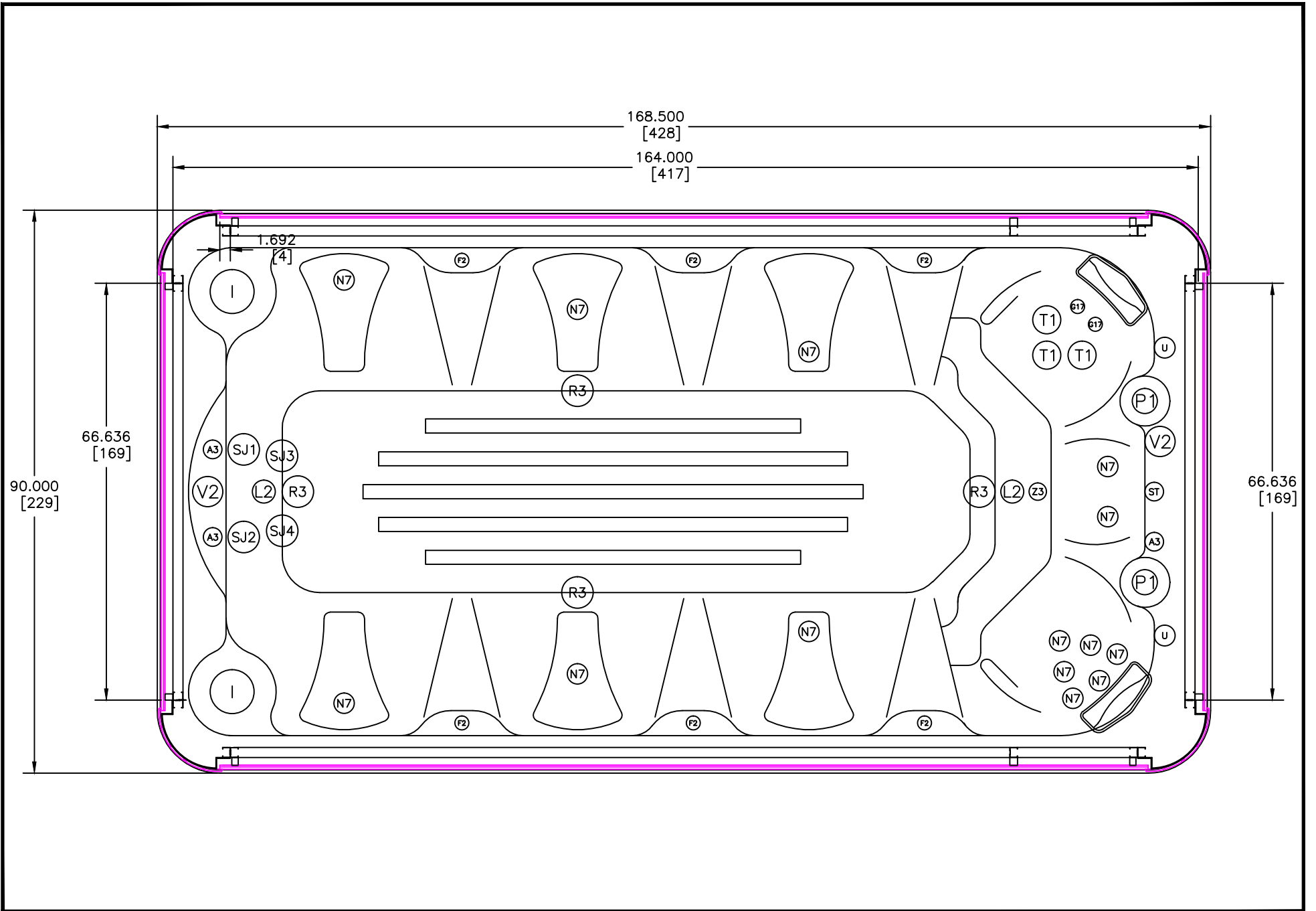
TITLE: MODEL XL4
EQUIPMENT SPECS. & LAYOUT

DRAWING NO.: MXL48105

DATE: 10/17/16

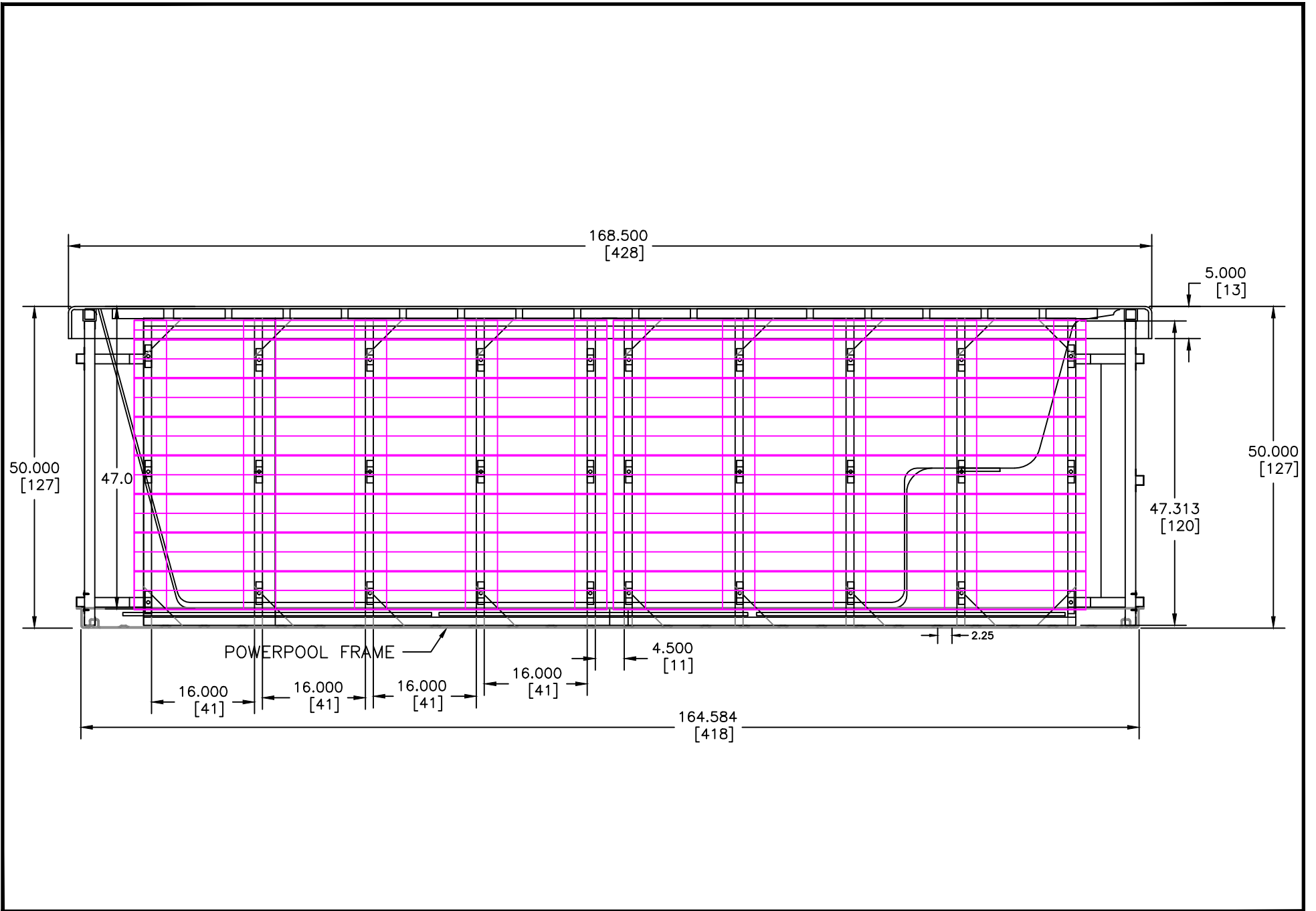
CYCLE TIME: 000 sec

SHEET: 1 OF 1



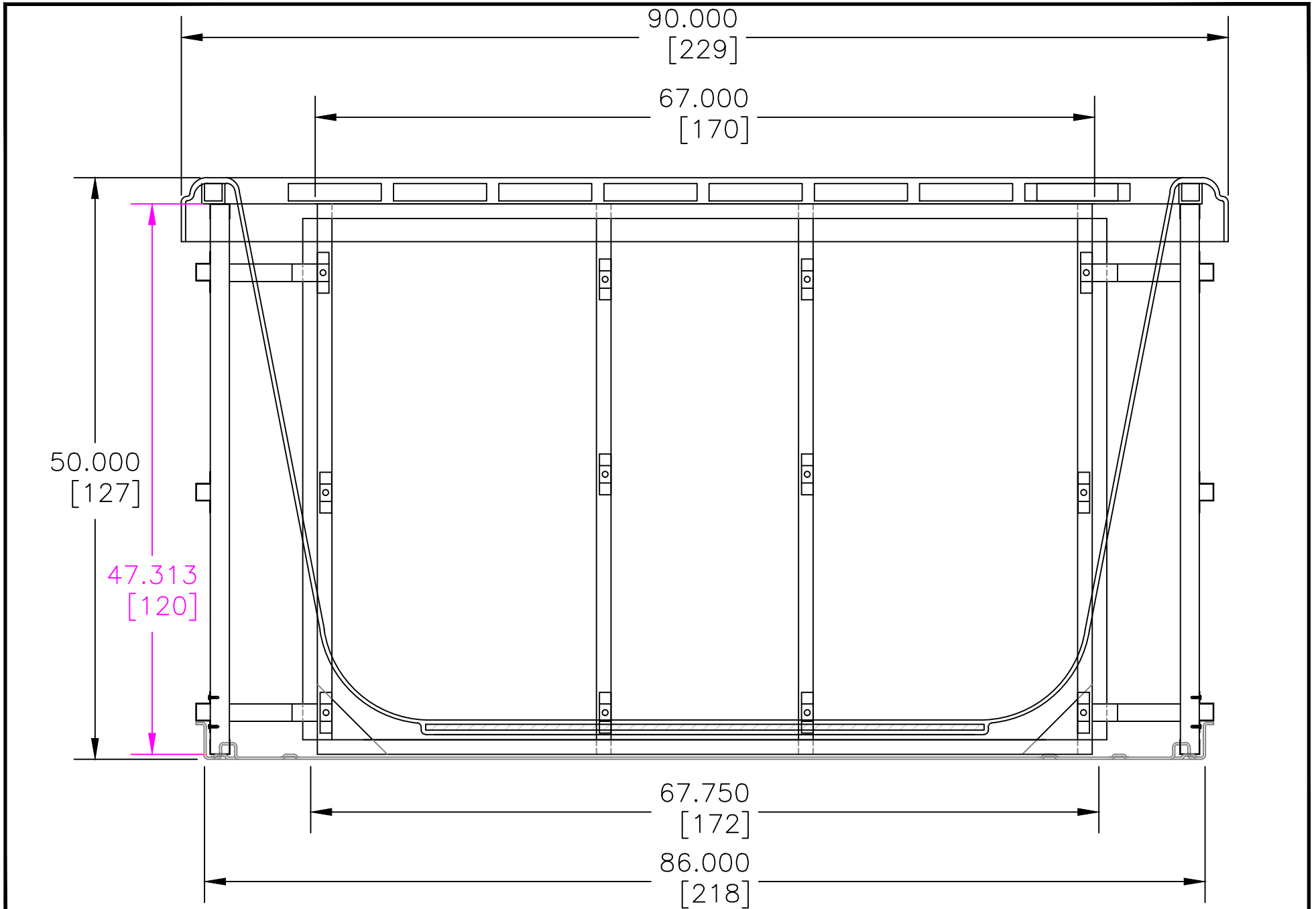
REVISIONS				TITLE: MODEL XL4 TOP VIEW GA	DRAWING NO.: MXL48001	DATE: 5/10/2016
#	DATE	DESCRIPTION	BY			
					CYCLE TIME: 000 sec	SHEET: 7 OF 41

Z:\Chandler Engineering\PUBLIC\DWG LIBR\MODEL\2018\XL4\MXL48001.dwg,



REVISIONS #	DATE	DESCRIPTION	BY	TITLE:	DRAWING NO.:	DATE:
				MODEL XL4 SIDE VIEW GA	MXL48001	5/10/2016
Z:\Chandler Engineering\PUBLIC\DWG LIBR\MODEL\2018\XL4\MXL48001.dwg,				CYCLE TIME: 000 sec		SHEET: 2 OF 4





REVISIONS #	DATE	DESCRIPTION	BY	TITLE:	DRAWING NO.:	DATE:
				MODEL XL4 END VIEW GA	MXL48001	5/10/2016
Z:\Chandler Engineering\PUBLIC\DWG LIBR\MODEL\2018\XL4\MXL48001.dwg,					CYCLE TIME: 000 sec	SHEET: 4 OF 4

